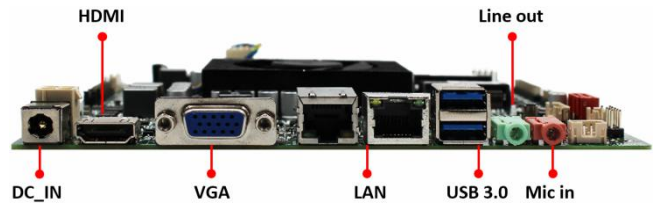


OTM-M612C

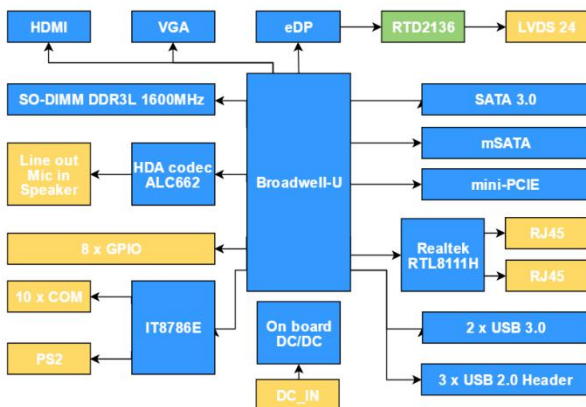
特点

- Intel Broadwell-U/Haswell-U Processor
- DDR3L SO-DIMM up to 8GB
- HDMI, VGA, LVDS
- 10/100/1000Mbps Ethernet
- Support Wi-Fi
- SATA3.0, mSATA
- 12V DC_in

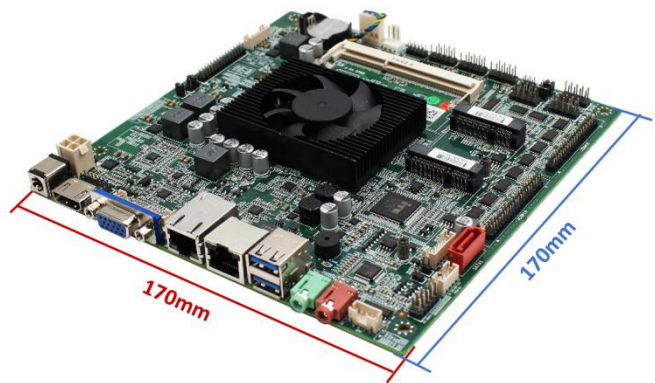
接口图



功能示意图



尺寸图



规格参数

规格参数					
处理器	CPU	Intel i5-4200U	Intel i5-5200U	Intel i5-5287U	Intel i7-5500U
	Base frequency	1.6GHz	2.2 GHz	2.9 GHz	2.4 GHz
	Burst frequency	2.6GHz	2.7 GHz	3.3 GHz	3.0 GHz
	Cache	3 MB	3 MB	3 MB	4 MB
	TDP	15 W	15 W	28 W	15 W

内存	Type	1 x DDR3L SO-DIMM 1600MHz
	Capacity	8GB
显示	Graphics	Intel HD Graphics
以太网	Interface	10/100/1000 Mbps
	Ethernet	Realtek RTL8111H
	Connector	2 x RJ45
板载接口	HDMI	1 x HDMI1.4 (3840 x 2160 @24/25/30Hz)
	DP	N/A
	VGA	1 x VGA (1920 x 1080 @60HZ)
	DVI	N/A
	LINE OUT	1 x LINE OUT
	MIC IN	1 x MIC IN
	USB3.0	2 x USB3.0
	USB2.0	N/A
	SATA3.0	1 x SATA3.0
板载插针	LVDS	Optional
	COM	6 x RS232 (COM2 support RS485; optional 10 x RS232)
	LPC	N/A
	LPT	N/A
	GPIO	8 bit GPIO (10 Pin-header 2.0mm)
	USB2.0	6 x USB2.0 (9 Pin-header 2.0mm)
	PS/2	1 x PS/2 (6 Pin-header 2.0mm)
	HDMI	1 x HDMI header
	VGA	1 x VGA header
板载插槽	M.2	N/A
	mSATA	1 x mSATA for SSD
	miniPCle	1 x mini-PCle for Wi-Fi
	PCle	N/A
	PCI	N/A
电源输入	Connector	DC 12V Jack/ 4-pin with ATX
	Power Type	Single 12V DC power input
尺寸	Size (L x W)	170mm x 170mm
环境	Operating Temp	0°C~60°C
	Storage Temp	-40°C~80°C
操作系统	Operating System	Windows 7 32/64 bit、Windows 10 32/64 bit、Linux

整机方案

Model	Memory	Display	USB3.0	USB2.0	COM	GbE LAN	SATA
OTF-7612L	max8GB	VGA+HDMI	2	4	6(optional 10)	2	1
OTF-7612H	max8GB	VGA+HDMI	2	6	6(optional 10)	2	1
IPC-1612	max8GB	VGA+HDMI	2	6	6(optional 10)	2	1

备注: