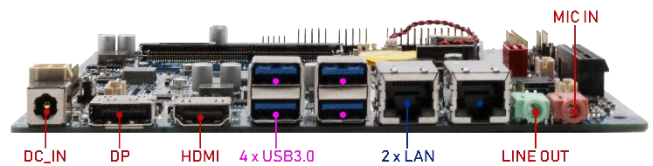


OTM-M622

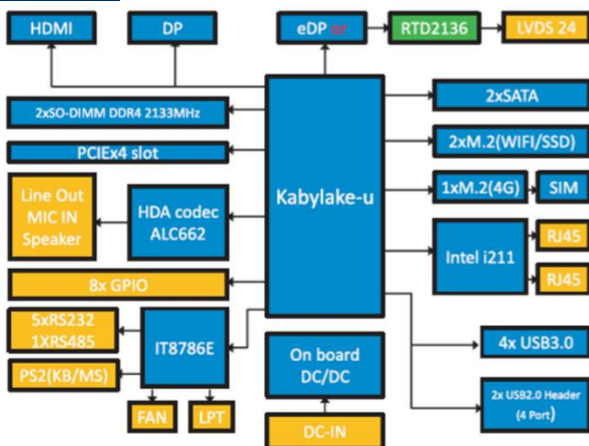
特点

- Intel Skylake-U/Kabylake-U Processor
- Dual channel DDR4 SO-DIMM up to 32GB
- HDMI、DP、LVDS
- 10/100/1000Mbps Ethernet
- Support Wi-Fi and 4G
- SATA3.0、M.2、PCIe X4
- 12V DC_in

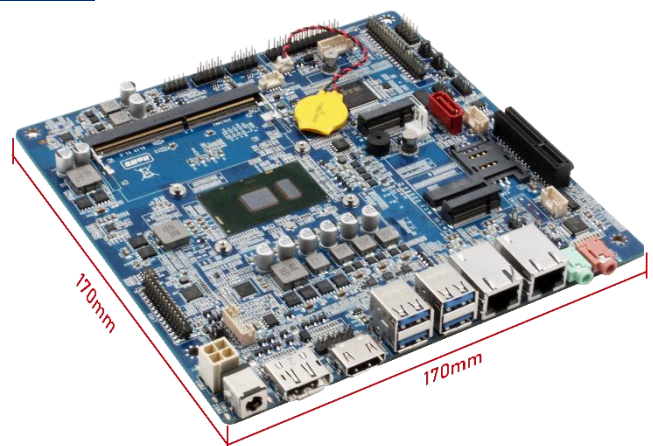
接口图



功能示意图



尺寸图



规格参数

处理器	CPU	Intel Celeron 3865U	Intel Core i3-7100U	Intel Core i5-7200U	Intel Core i7-7500U
	Base frequency	1.80 GHz	2.40 GHz	2.50 GHz	2.7GHz
	Burst frequency			3.10 GHz	3.5GHz
	Cache	2 MB Smart Cache	3 MB Smart Cache	3 MB Smart Cache	4MB Smart Cache
	TDP	15 W	15 W	15 W	15 W
内存	Type	2 x DDR4 SO-DIMM 2133MHz			
	Capacity	32GB			
显示	Graphics	Intel HD Graphics			
以太网	Interface	10/100/1000 Mbps			
	Ethernet	Intel Ethernet Controller I211-AT			
	Connector	2 x RJ45			
板载接口	HDMI	1 x HDMI1.4 (3840 x 2160 @30Hz)			
	DP	1 x DP1.2 (3840 x 2160 @60Hz)			
	LINE OUT	1 x LINE OUT			
	MIC IN	1 x MIC IN			
	USB3.0	4 x USB3.0			
	SATA3.0	1 x SATA3.0			
板载插针	LVDS	Optional			
	COM	5 x RS232 & 1 x RS485			
	LPT	1 x LPT			
	GPIO	8 bit GPIO			
	USB2.0	4 x USB2.0			
	PS/2	1 x PS/2			
板载插槽	M.2	1 x M.2 Key_E for 2230 Wi-Fi			
	M.2	1 x M.2 Key_B for NGFF 3G/4G			
	M.2	1 x M.2 Key_B for 2242 SSD			
	PCIe X4	1 x PCIe X4 slot			
	SIM	1 x SIM			
电源输入	Connector	DC 12V Jack/ 4-pin with ATX			
	Power Type	Single 12V DC power input			
尺寸	Size (L x W)	170mm x 170mm			
环境	Operating Temp	0°C~60°C			
	Storage Temp	-40°C~80°C			
操作系统	Operating System	Windows 10 32/64 bit, Linux			

整机方案

Model	LAN	USB	COM	DC_IN
OTF-7622	2	8	6	12V
OTF-7626	6	6	2	9~36V

备注: