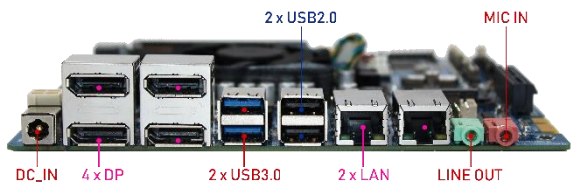


OTM-M502

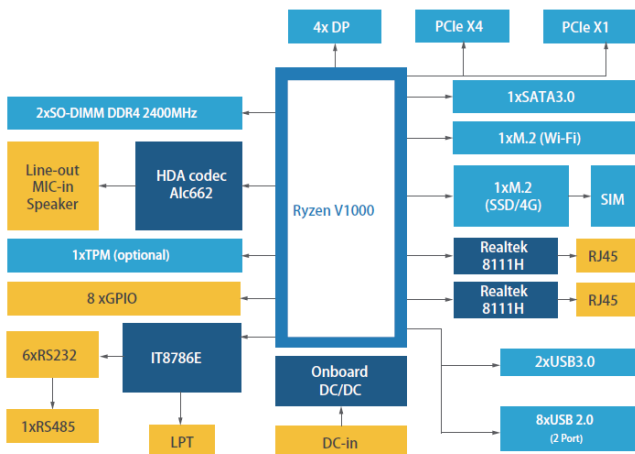
特点

- AMD Ryzen Embedded V1000 Processor
- Dual channel DDR4 SO-DIMM up to 32GB
- 4 x DP
- 10/100/1000Mbps Ethernet
- Support Wi-Fi & Bluetooth
- M.2 (SSD or 4G)
- 12V DC_IN

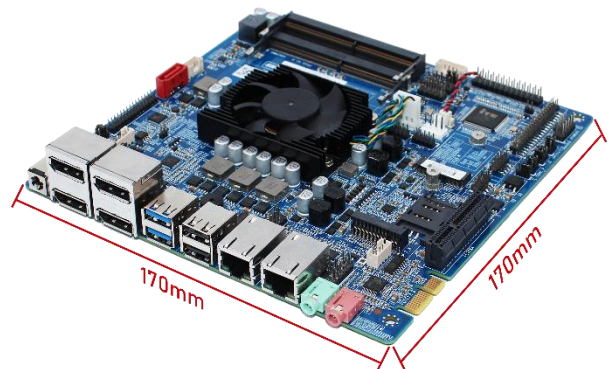
接口图



功能示意图



尺寸图



规格参数

处理器	CPU	AMD Ryze Embedded V1605B
	Base frequency	2.0 GHz
	Burst frequency	3.6 GHz
	Cache	2MB L2
	TDP	12~25W
内存	Type	2 x DDR4 SO-DIMM 2400MHz
	Capacity	32GB
显示	Graphics	AMD Radeo Vega 8 Graphics
以太网	Interface	10/100/1000Mbps
	Ethernet	2 x Realtek RTL8111H
	Connector	2 x RJ45
	DP	4 x DP1.2 (3840 x 2160 @60Hz)
	LINE OUT	1 x LINE OUT
	MIC IN	1 x MIC IN
	USB3.0	2 x USB3.0
	USB2.0	2 x USB2.0
	SATA3.0	1 x SATA3.0
板载插针	LVDS	Optional
	COM	6 x RS232 (COM2 can be configured as RS485 mode)
	LPC	1 x LPC
	LPT	1 x LPT
	GPIO	8 bit GPIO
	USB2.0	6 x USB2.0
	PS/2	1 x PS/2
板载插槽	M.2	1 x M.2 Key_E for 2230 Wi-Fi
	M.2	1 x M.2 Key_B for 2242/2280 SSD or NGFF 3G/4G
	PCIe X1	1 x PCIe X1 connecting finger
	PCIe X4	1 x PCIe X4 slot
	SIM	1 x SIM
电源输入	Connector	DC 12V Jack/ 4-pin with ATX
	Power Type	Single 12V DC power input
尺寸	Size (L x W)	170mm x 170mm
环境	Operating Temp	0°C~60°C
	Storage Temp	-40°C~80°C
操作系统	Operating System	Windows 10 32/64 bit, Linux

整机方案

Model	Memory	Display	USB3.0	USB2.0	COM	GbE LAN	SATA
DS-1104HD	max32GB	DP	2	4	N/A	2	1

备注: