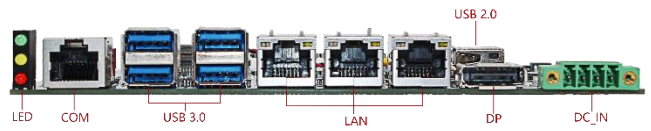


OTM-F623

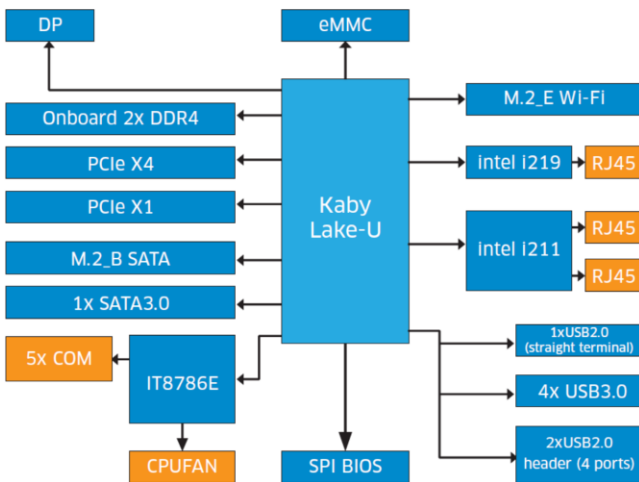
特点

- Intel kabylake-U/Celeron Processor
- DDR4 on board up to 8GB
- 10/100/1000Mbps
- Support Wi-Fi & Bluetooth
- M.2 (SSD or 4G)
- SATA3.0、PCIe X4、PCIe X1
- 16V~36V DC_IN 4Pin phoenix

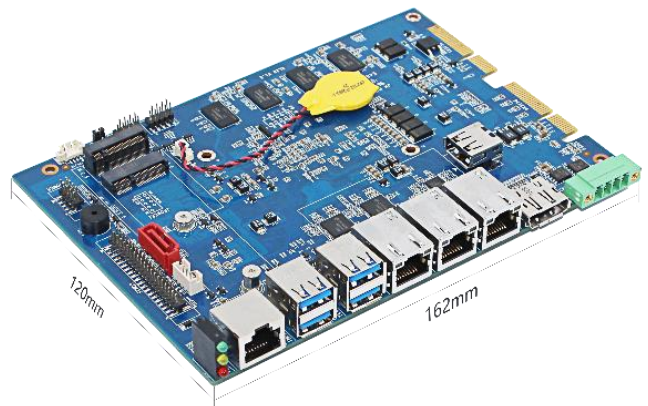
接口图



功能示意图



尺寸图



规格参数

| | | | |
|-------------|------------------|--|---------------------|
| 处理器 | CPU | Intel Celeron 3865U | Intel Core i5-7200U |
| | Base frequency | 1.80GHz | 2.50GHz |
| | Burst frequency | | 3.10GHz |
| | Cache | 2MB Smart Cache | 3MB Smart Cache |
| | TDP | 15W | 15W |
| 内存 | Type | DDR4 on board | |
| | Capacity | 8GB | |
| 显示 | Graphics | Intel HD Graphics | |
| 以太网 | Interface | 10/100/1000 Mbps | |
| | Ethernet | Intel Ethernet Controller I211-AT & I219-LM | |
| | Connector | 3 x RJ45 | |
| | DP | 1 x DP1.2 (3840 x 2160 @60Hz) | |
| | USB3.0 | 4 x USB3.0 | |
| | USB2.0 | 1 x USB2.0 | |
| | SATA3.0 | 1 x SATA3.0 | |
| | COM | 1 x RJ45 (By modifying the settings in BIOS RS232/RS422/RS485) | |
| 板载插针 | COM | 4 x RS232 | |
| | GPIO | 8 bit GPIO | |
| 板载插槽 | M.2 | 1 x M.2 Key_E for 2230 NGFF Wi-Fi | |
| | M.2 | 1 x M.2 Key_B for 2242/2280 SSD | |
| | PCIe X1 | 1 x PCIe X1 connecting finger | |
| | PCIe X4 | 1 x PCIe X4 connecting finger | |
| 电源输入 | Connector | DC 16V~36V 4-pin phoenix | |
| | Power Type | Single 16~36V DC power input | |
| 尺寸 | Size (L x W) | 162mm x 120mm | |
| 环境 | Operating Temp | 0°C~60°C | |
| | Storage Temp | -40°C~80°C | |
| 操作系统 | Operating System | Windows10 32/64bit, Linux | |

整机方案

| Model | Memory | Display | USB3.0 | USB2.0 | COM | GbE LAN | SATA |
|-------|--------|---------|--------|--------|-----|---------|------|
| MV05 | max8GB | DP | 4 | 3 | 5 | 3 | 1 |

备注: