

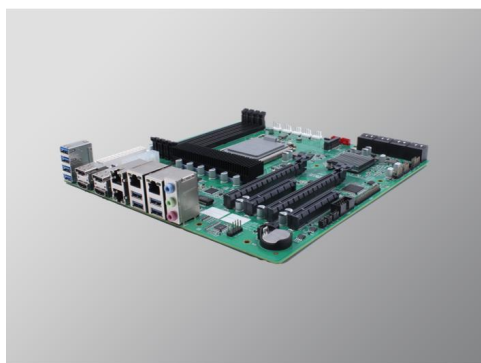
OTM-F852

Intel LGA1700 Socket with Intel Z690 Chipset based Micro-ATX MB

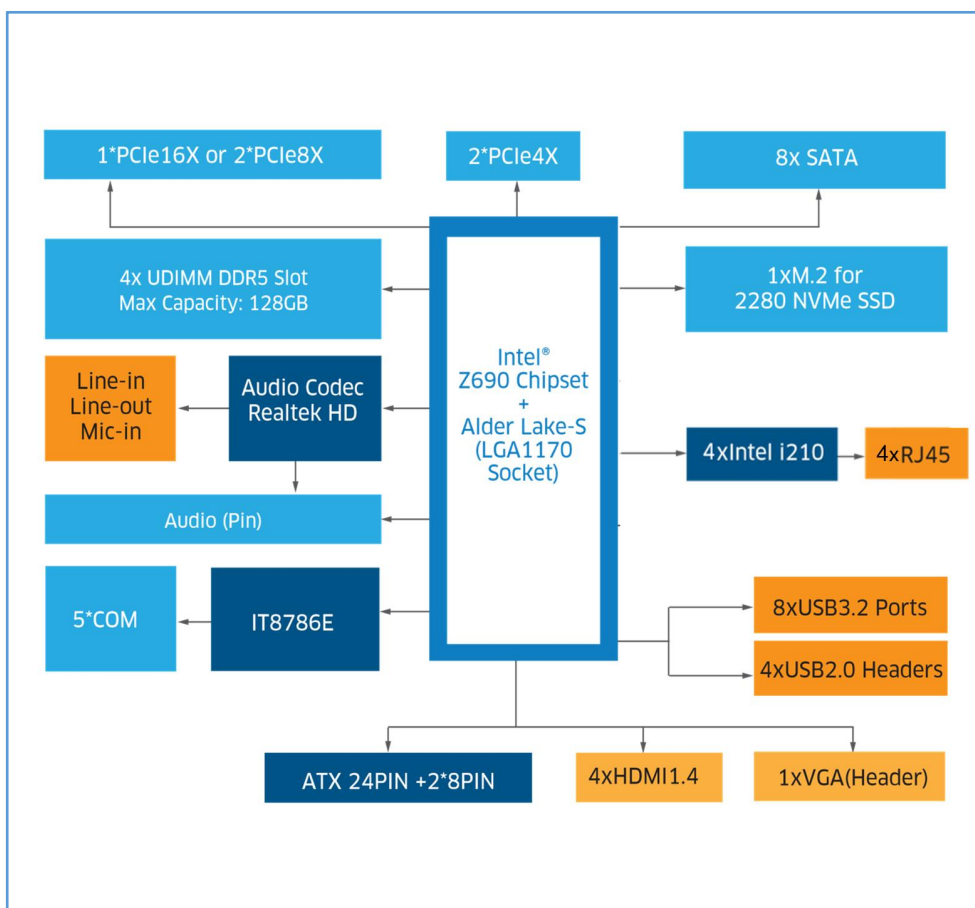


Features:

- Intel® Alder Lake/Raptor Lake processor
- Intel® Z690 Chipset
- Dual Channel DDR5 up to 128GB
- 4x HDMI 1.4, Supports quad displays
- 4x LAN, 8x USB3.0, 4x USB2.0, 5x COM
- 1x M.2 2280 NVMe PCIe4.0 x4
- 8x SATA3.0, Supports Software RAID 0 1 5 10
- Power-in: ATX_24Pin + 2x 8Pin



Block Diagram



OS Support: Windows/Linux/RTOS



Contact Sales

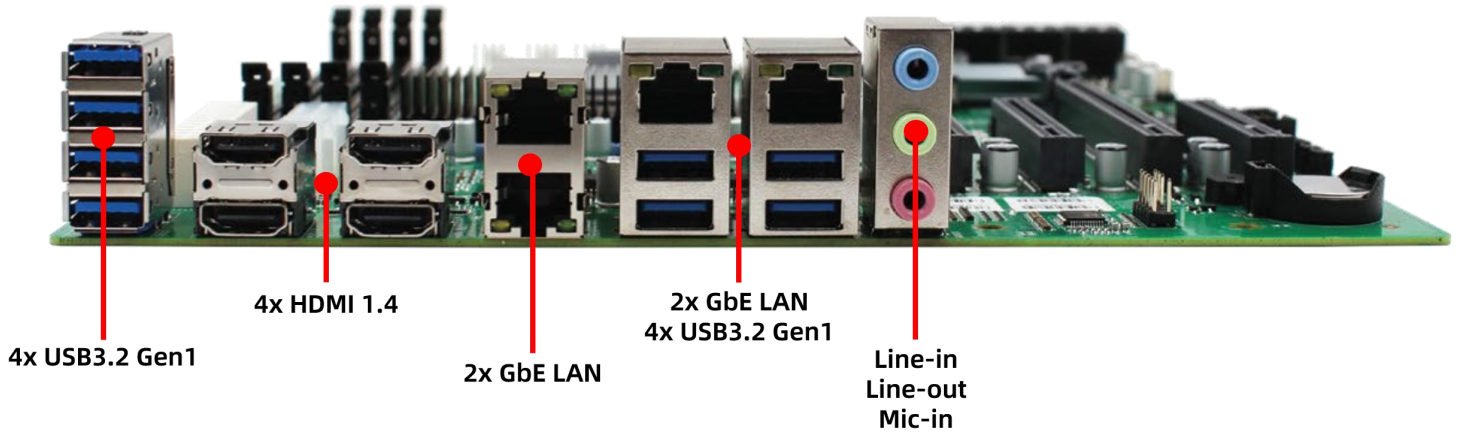


Product Info

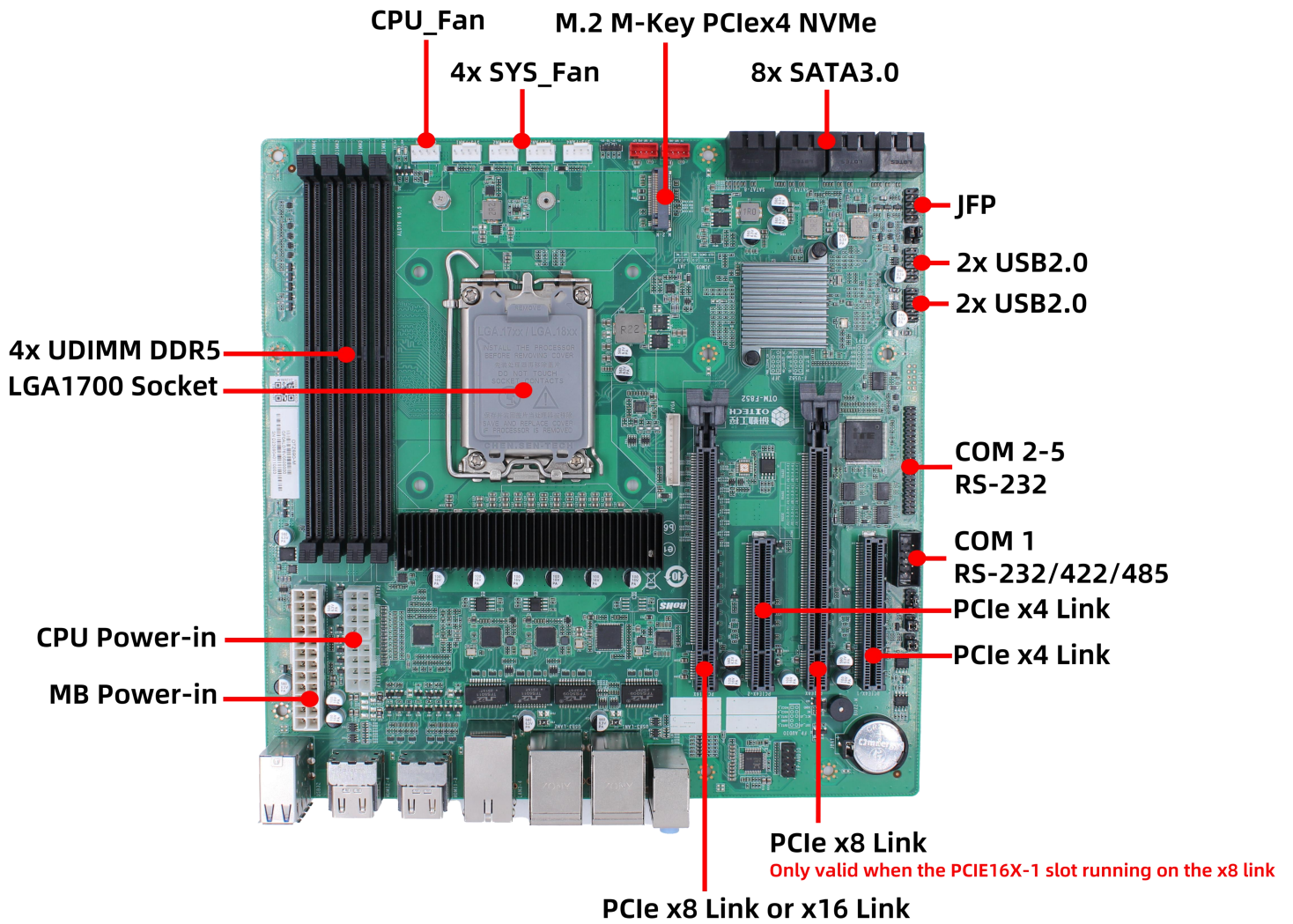
Specifications:

Processor System	CPU	Intel® Alder Lake/Raptor Lake Processor (LGA1700)
	Chipset	Intel® Z690 Chip
Memory	Technology	Dual channel DDR5
	Max capacity	128 GB
	Socket	4x U-DIMM 288Pin
Graphics	Chipset	Intel® UHD 730/770 Graphics (SKUs with F suffix don't support core graphics)
	Graphic Engine	DirectX 12/12.1(L ^{SKU}), OpenGL 4.5/4.6(L ^{SKU}), OpenCL 3/2.1 (E ^{SKU})
Ethernet	Controller	LAN 1-4: Intel Ethernet I210
	Speed	LAN 1-4: 100/1000 Mbps
Expansion Slot	PCIe Gen4.0 x16 slot	1 (x16 Link) or 2 (x8 Link)
	PCIe Gen4.0 x8 slot	2 (x4 Link)
Storage	M.2 (M key)	1xM.2 for 2280 NVMe (PCIe4.0) SSD
	SATA	8x SATA3.0, Support RAID 0, 1, 5, 10
Rear I/O	Display	4x HDMI 1.4 Ports, VGA (Onboard Header)
	RJ-45	4
	USB 3.0	8
	Audio	Line-in, Line-out, Mic-in
Internal Connector	USB 2.0	4
	Serial	5 (4x RS-232, 1x RS-232/485/422)
	TPM2.0	Optional
Power Requirement	Input Mode	ATX input
	Standard Port	ATX_24Pin + 2x 8Pin
	output socket	1x 4Pin CPU_FAN, 4x 4Pin SYS_FAN, 2x 4Pin SATA_PW
Environment	Operating Temp.	0 ~ 60 °C (32 ~ 140 °F)
	Storage Temp.	-40 ~ 80 °C (-40 ~ 176 °F)
Other	OS	Win 10, Win 11, Linux (Linux kernel 5.18 or later)
	Dimensions	243.84mm x 243.84mm

Rear I/O



Internal Connector



Ordering Information:

Part Number	Product Name	Description
	OTM-F852-Z690	Intel® Z690 Chip, 4Display, 4LAN, 12USB, 5COM, 4PCIe

Packing List:

Part Number	Description
	1x OTM-F852 M-ATX MB
	IO bracket
OTSATAL500NE00	2x ROHS SATA 7Pin L=500MM

Option Items:

Part Number	Description
	LGA1700 Socket Cooler for CPU
	Dual port USB 2.0 cable kit
	1-to-1 serial port cable kit
	1-to-4 serial port cable kit
	Set COM-1 to RS485/422 mode (RS232 mode by Default)