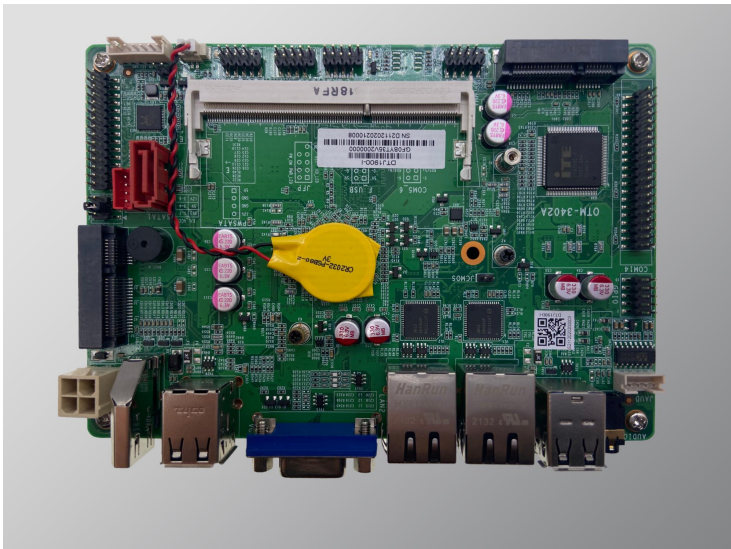


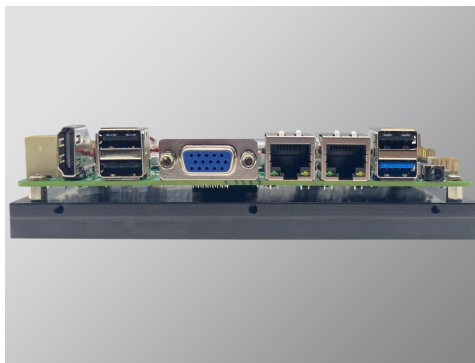
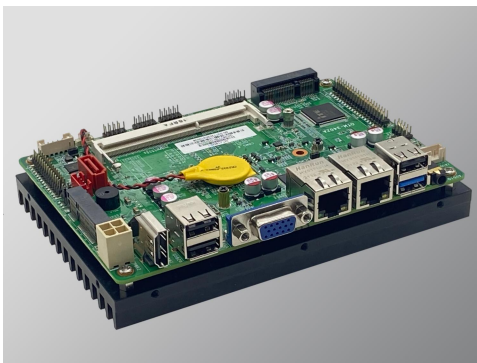
OTM-3402A

Intel Bay Trail based 3.5" Disk Size Motherboard

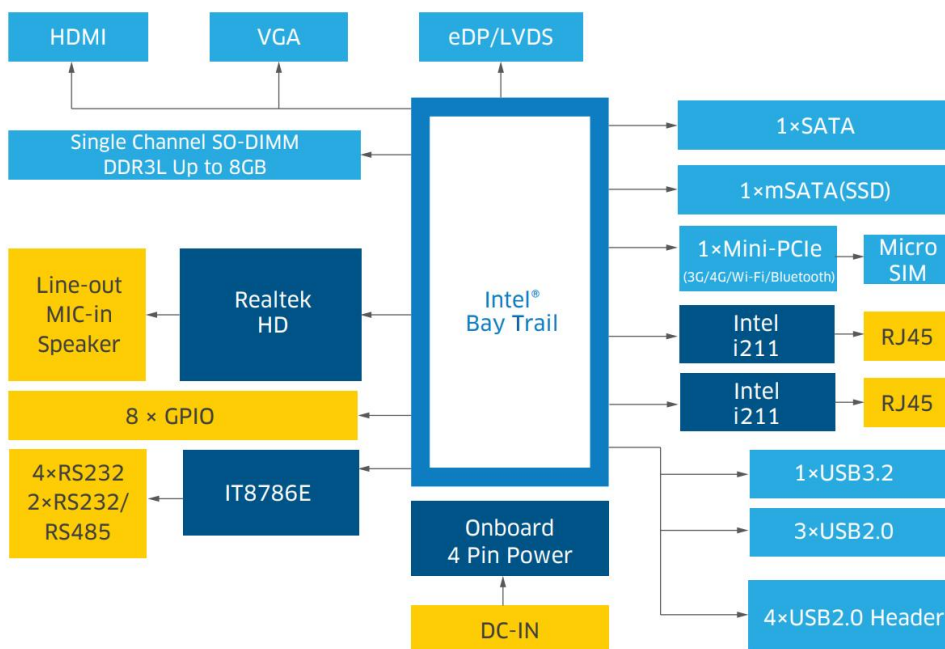


Features:

- Intel Bay Trail BGA processor
- Single channel SO-DIMM DDR3L up to 8GB
- VGA, HDMI, eDP/LVDS. dual independent display
- Support Wi-Fi/4G module
- 2x GbE, 1x USB3.0, 7x USB2.0
- 6x COM, 8 bit GPIO
- Single 12V DC power input



Block Diagram



Certification:



OS Support:

Windows/Linux/RTOS



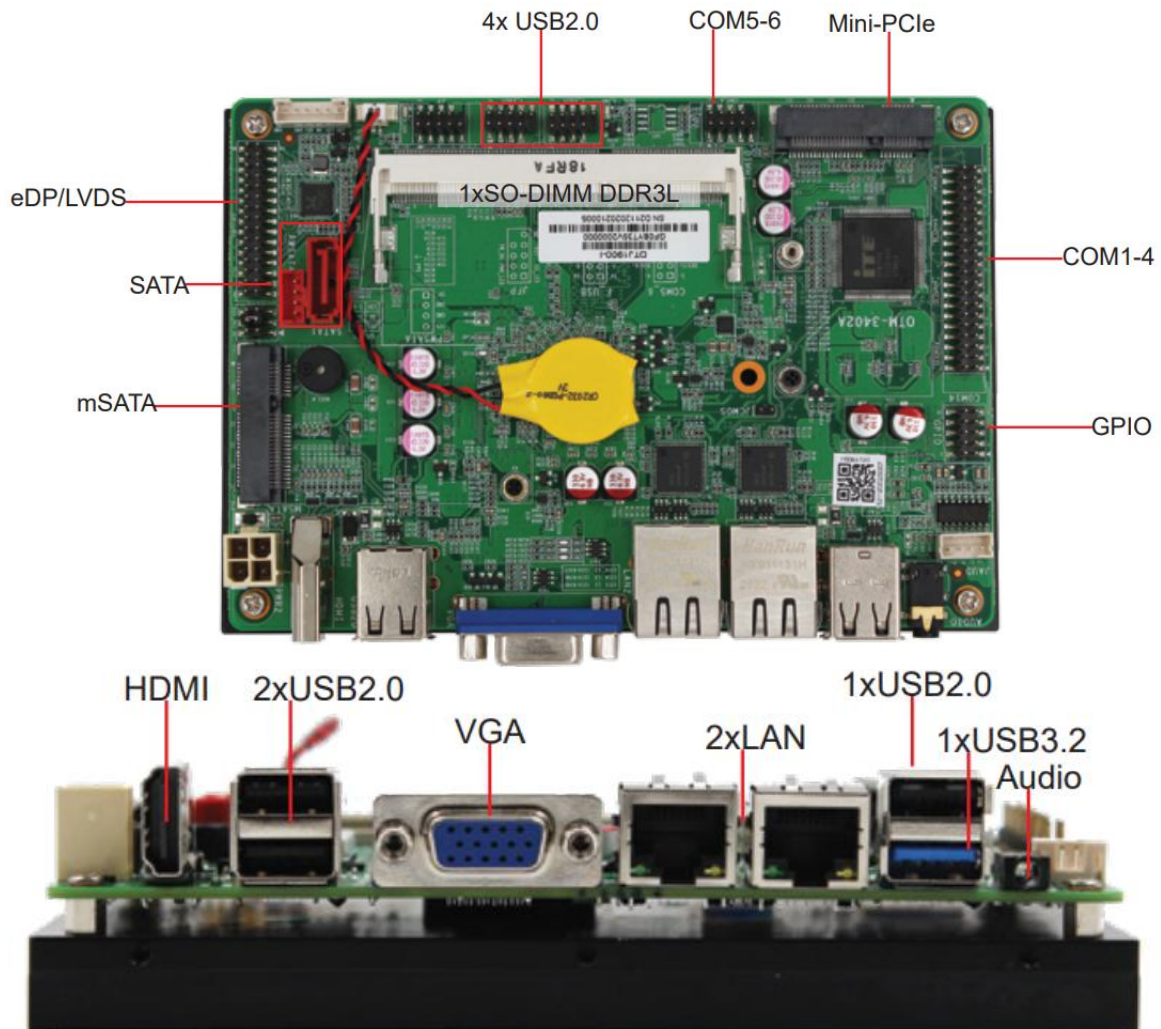
SW Support:

MES/WES/WCS/SCADA

Specifications:

Processor System	CPU	Intel Celeron J1900
	Cores / Threads	4C/4T
	Max Turbo	2.42GHz
	Base Frequency	2.00GHz
	TDP	10 W
Memory	Technology	DDR3L 1333MHz
	Max capacity	8 GB
	Socket	1x SO-DIMM 204 pin
Graphics	Chipset	Intel HD Graphics (Bay Trail GT1)
	Graphic Engine	H.264, DirectX 11.2, OpenGL 3.2, OpenCL 1.2
Ethernet	Controller	GbE LAN 1: Intel I211 GbE LAN 2: Intel I211
	Speed	10/100/1000 Mbps
Storage	mSATA	1 x mSATA slot for SSD
	SATA2.0	1
Rear I/O	Display	VGA, HDMI
	RJ-45	2
	USB 3.0	1
	USB 2.0	3
	Audio	Mic-in, Line-out
Internal Connector	Display	eDP/LVDS
	USB 2.0	4
	Serial	6 (4x RS-232, 2x RS-232/485)
	GPIO	8 bit
	Mini-PCIe	1x Full-size Mini-PCIe slot for Wi-Fi/4G modules
	Other	SIM Card, Wire switch
Power Requirement	Input Mode	DC 12V Input
	Standard Port	ATX_4-pin
Environment	Operating Temp.	0 ~ 60 °C (32 ~ 140 °F)
	Storage Temp.	-40 ~ 80 °C (-40 ~ 176 °F)
Regulation	OS	Win7, Win8, Win10, Linux
	Dimensions	146 x 102mm

Interface diagram



Ordering Information:

Part Number	Product Name	Description
	OTM-3402A.-J1900	VGA, HDMI, eDP/LVDS, 2x GBE LANs, 8x USB, 6x COM

Packing List:

Part Number	Description
	1 x OTM-3402A. Unit
	1 x Radiator