

# OTF-8823H SERIES

Intel LGA1151 Processor Series Embedded Scalable IPC

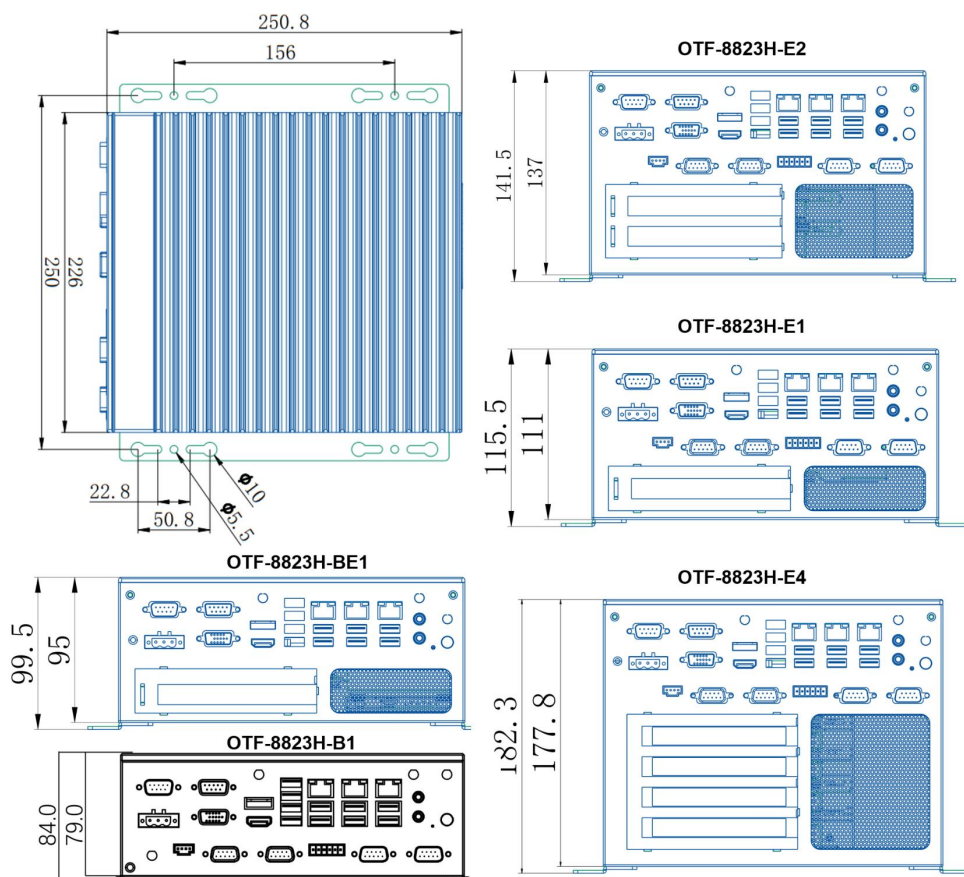


## Features:

- Intel 6-9<sup>th</sup> Gen Processor LGA1151
- Dual channel DDR4 UDIMM up to 32GB
- VGA, HDMI, DP, Triple independent display
- Support 4G/5G and Wi-Fi module
- 3x GbE LAN, Support PXE and WOL
- 10x USB, 6x COM, 2x 8 bit GPIO
- 1x PCIe16, 3x PCIe4
- Single 16~36V DC power input
- Industrial Scalable Mainframe, Embedded Design



## Dimensions



## Certification:



### OS Support:

Windows/Linux



### SW Support:

MES/WES/WCS/SCADA



Contact Sales



Product Info

## Specifications:

Processor System	CPU	Socket LGA 1151		
	Chipset	Intel Q170 Chip		
	BIOS	AMI EFI BIOS		
Memory	Technology	Dual channel DDR4 2666/2133Mhz		
	Max capacity	32 GB		
	Socket	2x SO-DIMM 260 pin		
Graphics	Chipset	Intel HD/UHD/Iris Pro Graphics for 6-9 <sup>th</sup> Gen Intel Processor		
	Graphic Engine	H.265, DirectX 12, OpenGL 4.5, JPEG, VC1, AVC, VP8, VP9		
Expansion	PCIex16 slot	1x FH/HL Gen3 PCIex16 slot (x16 Link, <b>BE1/E1/E2/E4</b> )		
	PCIex4 slot	3x FH/HL Gen3 PCIex4 slot (x1 Link, <b>E4</b> )		
	M.2 (E Key)	1x 2230 slot for Wi-Fi modules		
	M.2 (W Key)	1x 2242 slot for 4G/5G modules		
Ethernet	Controller	GbE LAN 1: Intel I211	GbE LAN 2: Intel I211	GbE LAN 3: Intel I211
	Speed	10/100/1000 Mbps		
I/O Interface	Display	VGA, HDMI, DP		
	RJ-45	3		
	USB	8x USB 3.0, 2x USB 2.0		
	Serial	2x RS-232 ( <b>BE1</b> ), 4x RS-232 ( <b>B1/E1/E2/E4</b> ), 2x RS-485 ( <b>B1/E1/E2/E4</b> )		
	GPIO	2x 8 bit ( <b>B1/E1/E2/E4</b> )		
	Audio	Line-out, Mic-in		
	Other	Wire switch ( <b>B1/E1/E2/E4</b> )		
Storage	Drive Bay	1x 2.5" SSD/HDD ( <b>B1, BE1</b> ), 2x 2.5" SSD/HDD ( <b>E1, E2</b> ), 1x 2.5"/3.5" SSD/HDD ( <b>E4</b> )		
	M.2 (B Key)	1x 2280 slot for SATA SSD		
OS Support	Microsoft Windows	Win 8, Win 10		
	Linux	Support (by Project)		
Power Requirement	Power Input Voltage	1x 3 pin DC 16-36V input		
	Power Adapter	No adapter by default		
Mechanical	Dimensions	W x H x D mm: <b>BE1</b> : 226x95x250, <b>B1</b> : 226x79x250, <b>E1</b> : 226x111x250mm, <b>E2</b> : 226x137x250, <b>E4</b> : 226x178x250		
Environment	Operating Temp.	0 ~ 60° C with 0.7m/s air flow		
	Storage Temp.	-40 ~ 80 °C (-40 ~ 176 °F)		

Note: No adapter by default. Contact sales to select the appropriate adapter based on the configuration

## configuration information

Part No.	CPU	VGA	HDMI	DP	GbE	USB 2.0	USB 3.0	RS-232 RS-422 RS-485	GPIO	PCIe	4G 5G Wi-Fi	Power Input
OTF-8823H-BE1	Socket LGA 1151	Yes	Yes	Yes	3	2	8	2x232	N/A	1x PCIe16 slot	support	16~36V DC
OTF-8823H-B1		Yes	Yes	Yes	3	4	8	4x232 2x485	16 bit	N/A	support	16~36V DC
OTF-8823H-E1		Yes	Yes	Yes	3	2	8	4x232 2x485	16 bit	1x PCIe16 slot	support	16~36V DC
OTF-8823H-E2		Yes	Yes	Yes	3	2	8	4x232 2x485	16 bit	1x PCIe16 slot	support	16~36V DC
OTF-8823H-E4		Yes	Yes	Yes	3	2	8	4x232 2x485	16 bit	1x PCIe16 slot 3x PCIe4 slot	support	16~36V DC

## Ordering Information:

Part Number	Product Name	Description
B8823E1000	OTBB-8823H-E1	OTM-F823 3LAN 6COM 10USB
B8823E2000	OTBB-8823H-E2	OTM-F823 3LAN 6COM 10USB
B8823BE000	OTBB-8823H-BE1	OTM-F823 3LAN 2COM 10USB
B8823E4000	OTBB-8823H-E4	OTM-F823 3LAN 6COM 10USB
B8823B1000	OTBB-8823H-B1	OTM-F823 3LAN 6COM 10USB
B8823EL000	OTBB-8823H-E4L	OTM-F823 3LAN 6COM 10USB

## Packing List:

Part Number	Description
	1x OTF-8823H Series Unit

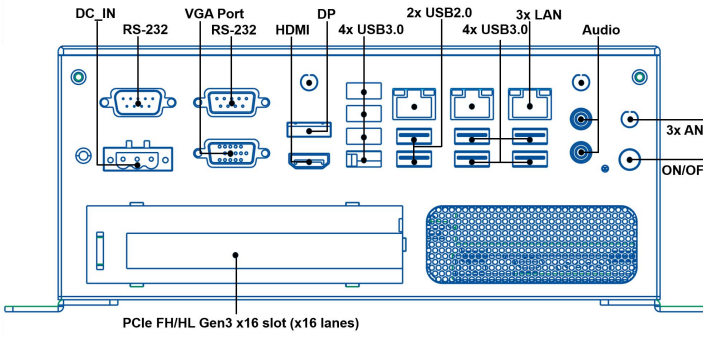
Note: No adapter by default. Contact sales to select the appropriate adapter based on the configuration

## Option Items:

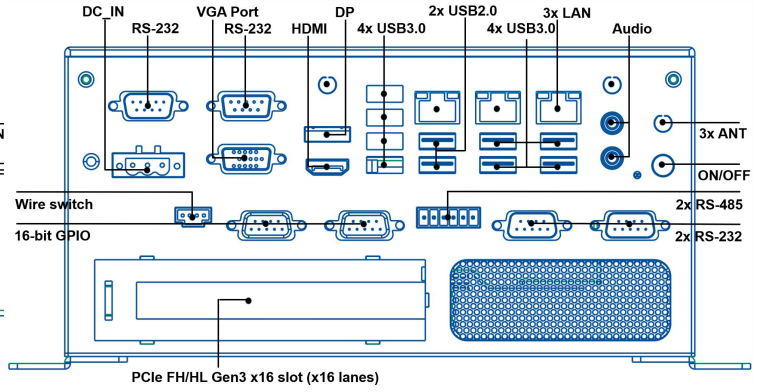
Part Number	Description
B001	Wi-Fi Module
B002	4G Module
B003	5G Module
B029	AC to DC adaptor, 19V/120W
B030	AC to DC adaptor, 19V/90W

## External I/O

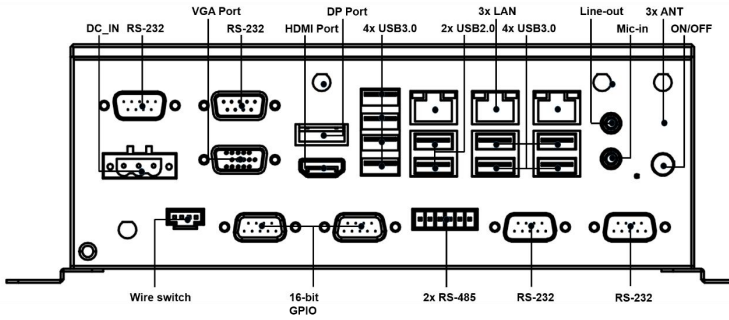
### OTF-8823H-BE1



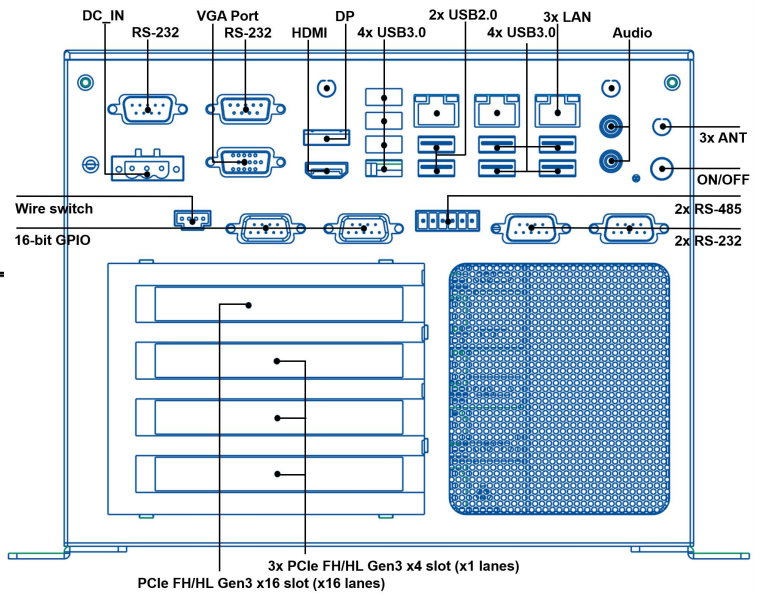
### OTF-8823H-E1



### OTF-8823H-B1



### OTF-8823H-E4



### OTF-8823H-E2

