

TPC-C632A/B Series

12.1 " TFT LED/LCD industrial panel PC



Features

- Industrial grade 12.1 inch XGA TFT LCD with 50K hours of life cycle
- Intel® i3-8145U/I5-8265U processor, memory capacity supports up to 8GB
- Operating temperature range -20 to 60 °C (-4 to 140 °F)
- The front panel is IP65 protected
- Front LED indicator and USB port
- Capacitive touch screen as standard, optional resistive touch screen
- Compact no fan embedded system with aluminum front panel, chassis ground protection
- Supports VESA, desktop, wall mount installation

Product specifications

Specification

CPU	Intel Core I3-8145U 2.1~3.9GHz, 2C, 4T Intel Core I5-8265U 1.9~3.9GHz, 4C, 8T
Memory	DDR4L SODIMM*2 MAX 32GB
Storage Slot	1 x M.2 1 x SATA
LAN	Intel I211-AT & I219-LM 2 x RJ45
I/O	4 x RS232 2 x RS485 4 x USB3.2 Gen1 1 x USB2.0 1 x HDMI 1 x DP 8 bit GPIO (Optional)
Expansion Slot	1 x M.2 for Wi-Fi/4G 1 x Micro SIM
certification	CCC、CE、FCC、energy saving
Heat dissipation	Passive heat dissipation
Dimensions (W*H*D)	309*249.6*75.2mm
Mounting	VESA Mount, Desktop, Wall or Panel Mount
OS Support	Windows10 LINUX
Weight	4.1KG
Power Consumption	< 40W
Power Input	DC 12V

Environment

Operating Temperature	-20~60°C(-4 to 140 °F) SSD 0~60°C(32 to 140 °F) HDD
Storage Temperature	-30~70°C(-22 to 158 °F)
Humidity	8%~90% RH@40° non-condensing

LCD Display

Display Type	a-Si TFT-LCD
Display Size	12.1" (4: 3)
Max Resolution	1024 x 768 XGA
Refresh rate	60Hz
Luminance cd/m ²	500 cd/m ²
Contrast Ratio	700:1
Viewing Angle	80/80/70/70
Max Color	16.2M/262K
Display mode	TN, White display, Transmissive
Backlight Life	50Khrs

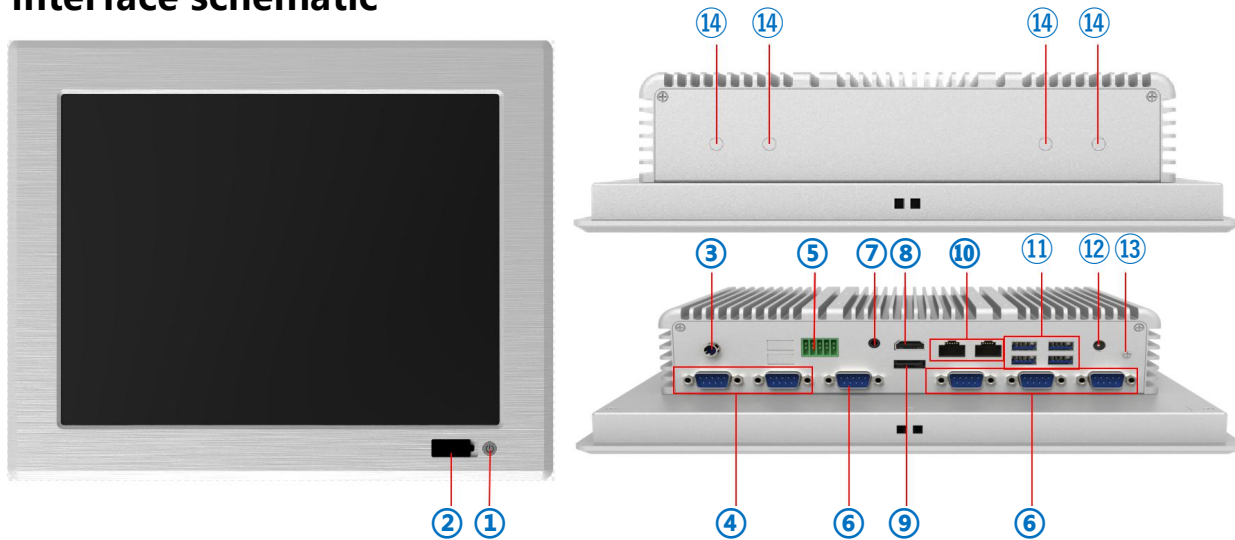
Touchscreen

Touch type	Capacitance/resistance
Touch screen life	35 million times
Ingress Protection	IP65 (Front panel)

TPC-C632A/B Series

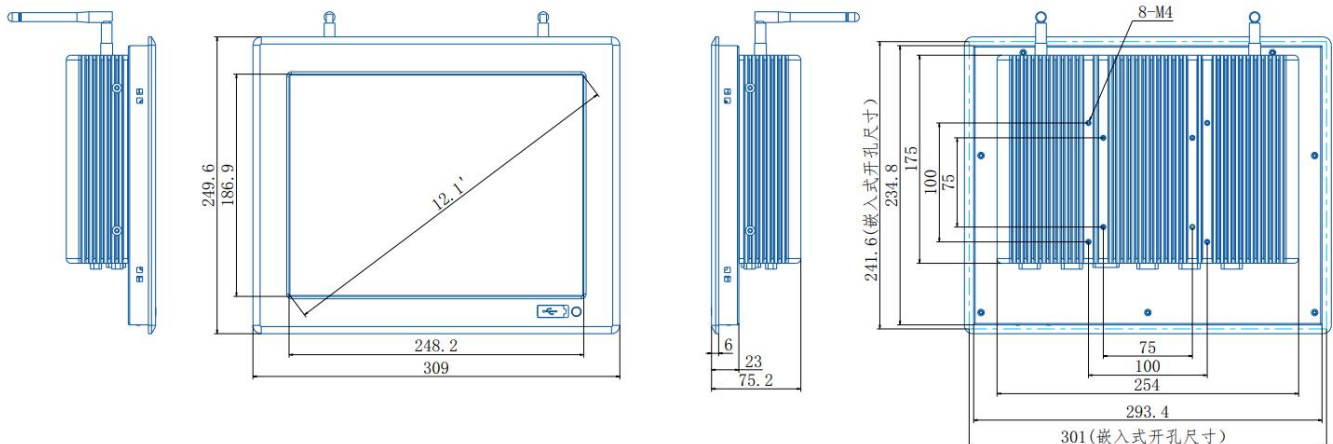
12.1 " TFT LED/LCD industrial panel PC

Interface schematic



- | | | | | |
|--------------------------|-------------------|---------------|-------------------|--------------------------|
| ① POWER SW | ④ RS485 x 2 | ⑦ line IN&MIC | ⑩ LAN x 2 | ⑬ GND |
| ② USB2.0 x 3 | ⑤ GPIO (Optional) | ⑧ HDMI | ⑪ USB3.2 GEN1 x 4 | ⑭ Wi-Fi or 4G (Optional) |
| ③ Wire Switch (Optional) | ⑥ RS232 x 4 | ⑨ DP | ⑫ DC_IN | |

Product dimension drawings



Ordering Information

Product model	CPU	LCD Size	Touch Screen	Power
TPC-C632A	I3-8145U /I5-8265U	12.1inch (4: 3)	Capacitive	60W
TPC-C632B	I3-8145U /I5-8265U	12.1inch (4: 3)	Resistive	60W
Optional Accessories	GPIO / Wire Switch / Wi-Fi or 4G You can choose one or more options			