

TPC-C402A/B Series

12.1 " TFT LED/LCD Industrial Panel PC



Features

- Industrial grade 12.1 inch XGA TFT LCD with 50K hours of life cycle
- Intel® J1900 processor, memory capacity supports up to 8GB
- Operating temperature range -20 to 60 °C (-4 to 140 °F)
- The front panel is IP65 protected
- Front LED indicator and USB port
- Capacitive touch screen as standard, optional resistive touch screen
- Compact no fan embedded system with aluminum front panel, chassis ground protection
- Supports VESA, desktop, wall mount installation

Specifications

System Hardware

CPU	Intel J1900 2.0~2.42GHz, 4C, 4T
Memory	DDR3L SODIMM MAX 8GB
Storage Slot	1 x mSATA 1 x SATA
LAN	2 x RJ45 Intel I211-AT
I/O	1 x HDMI 1 x VGA 6 x RS232 or 4 x RS232 2 x RS485 1 x USB3.2 Gen1 4 x USB2.0 2 x USB2.0 (Optional) 8 bit GPIO (Optional)
Expansion Slot	1 x Mini-PCIe for Wi-Fi/ 4G 1 x Micro SIM
certification	CCC、CE、FCC、Energy saving
Heat dissipation	Passive heat dissipation
Dimensions (W*H*D)	309*249.6*75.2mm
Mounting	VESA Mount, Desktop, Wall or Panel Mount
OS Support	Windows 7 Windows 8 Windows10 LINUX
weight	4.1KG
Power Consumption	≤40W
Power Input	DC 12V

LCD Display

Display Type	a-Si TFT-LCD
Display Size	12.1" (4: 3)
Max. Resolution	1024 x 768 XGA
Refresh rate	60Hz
Luminance cd/m ²	500 cd/m ²
Contrast Ratio	700:1
Viewing Angle	80/80/70/70
Max Color	16.2M/262K
Display mode	TN, White display, Transmissive
Backlight Life	50Khrs

Touchscreen

Touch type	Capacitance/Resistance
Touch screen life	35 million times
Ingress Protection	IP65 (Front panel)

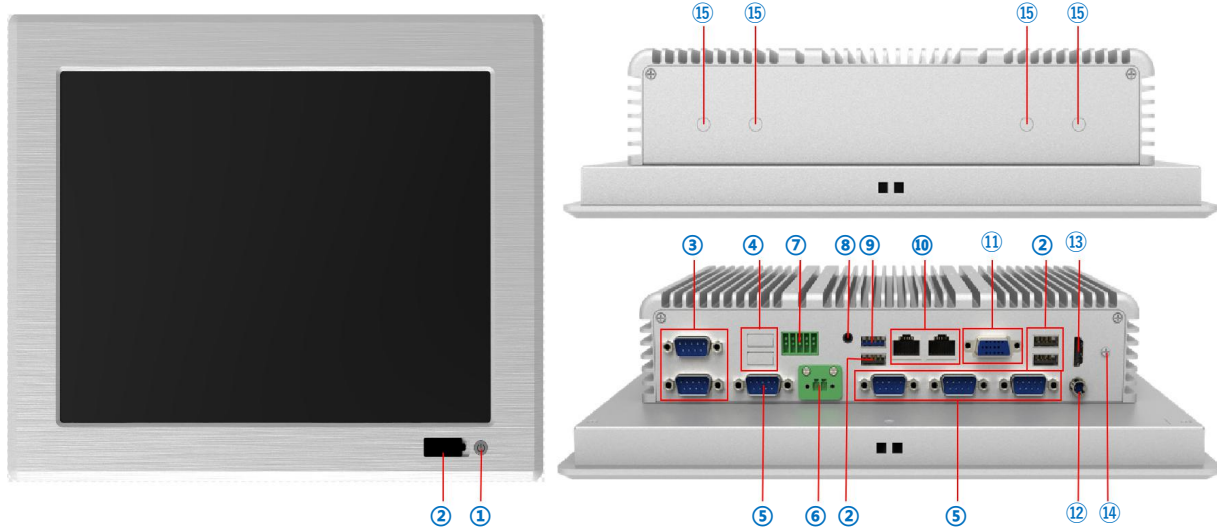
Environment

Operating Temperature	-20~60°C(-4 to 140 °F) SSD 0~60°C(32 to 140 °F) HDD
Storage Temperature	-30~70°C(-22 to 158 °F)
Humidity	8%~90% RH@40° non-condensing

TPC-C402A/B Series

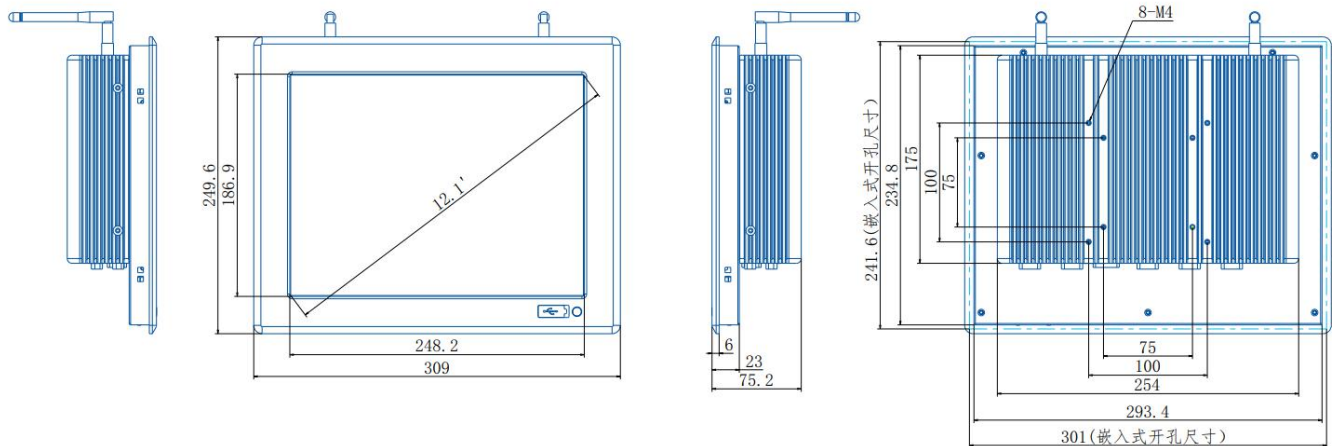
12.1 " TFT LED/LCD Industrial Panel PC

Interface schematic



- | | | | | |
|------------------------------------|-------------------------|-------------------|--------------------------|-------------------------|
| ① POWER SW | ④ USB2.0 x 2 (Optional) | ⑦ GPIO (Optional) | ⑩ LAN | ⑬ HDMI |
| ② USB2.0 x 4 | ⑤ RS232 x 4 | ⑧ line IN&MIC | ⑪ VGA | ⑭ GND |
| ③ RS232 x 2 or RS485 x 2(Optional) | ⑥ DC_IN | ⑨ USB3.2 GEN1 x 1 | ⑫ Wire Switch (Optional) | ⑮ Wi-Fi or 4G(Optional) |

Product dimension drawings



Ordering Information

Product model	CPU	LCD Size	Touch Screen	Power
TPC-C402A	J1900	12.1inch (4: 3)	Capacitive	60W
TPC-C402B	J1900	12.1inch (4: 3)	Resistive	60W
Optional Accessories	GPIO + USB2.0 x 2 / Wire Switch / Wi-Fi or 4G / RS232 x 2 Change to RS485 x2 You can choose one or more options			