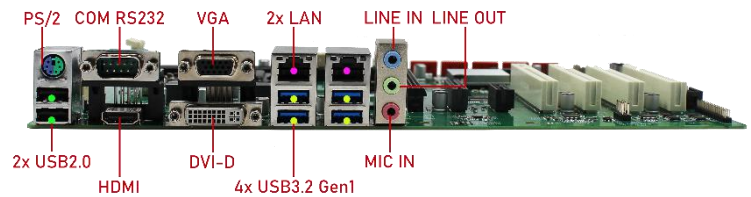


# OTM-A802

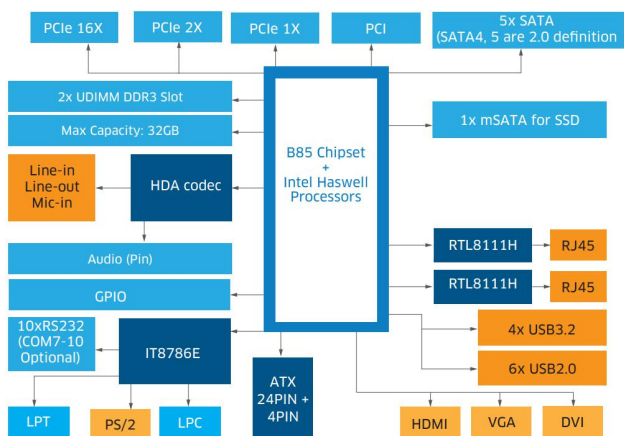
## 特点

- Intel Haswell Processors with B85
- 2 x UDIMM DDR3 Up to 32GB
- HDMI+VGA+DVI
- 10/100/1000 Mbps
- 1x mSATA, 5 x SATA
- PCIe1X, PCIe2X, PCIe16X, PCI
- ATX\_24PIN + 4PIN

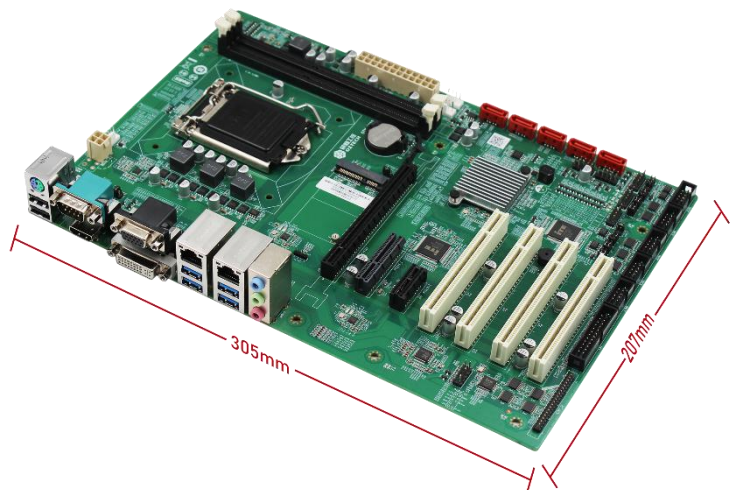
## 接口图



## 功能示意图



## 尺寸图



## 规格参数

处理器	CPU	Intel Haswell Processors
	Chipset	Intel B85 Chipset
内存	Type	2 x UDIMM DDR3
	Max Capacity	Up to 32GB
显示	Graphics	Intel HD Graphics
以太网	Speed	10/100/1000 Mbps
	Controller	RTL8111H
	Interface	2 x RJ45
板载接口	HDMI	1 x HDMI
	VGA	1 x VGA
	DVI	1 x DVI-D
	COM	1 x COM
	LINE OUT	1 x LINE OUT
	LINE IN	1 x LINE IN
	MIC IN	1 x MIC IN
	USB3.2 Gen1	4 x USB3.2 Gen1
	USB2.0	2 x USB2.0
	COM	1 x COM RS232
	PS/2	1 x PS/2(default PS/2 for keyboard)
	SATA	3 x SATA3.0 (SATA1~3) + 2 x SATA2.0 (SATA4~5)
	板载插针	COM
COM		4 x COM RS232 Optional
LPC		1 x LPC
LPT		1 x LPT
GPIO		8 bit GPIO
USB2.0		4 x USB2.0
板载插槽	mSATA	1 x mSATA
	PCLE X1	1 x PCIe X1
	PCle X4	2 x PCIe X4
	PCle X16	1 x PCIe X16
	PCI	4 x PCI
电源输入	Board Type	ATX
	Standard Port	ATX_24PIN + 4PIN
尺寸	Size (L x W)	305mm x 207mm
环境	Operating Temp	-20°C~60°C
	Storage Temp	-40°C~80°C
操作系统	Operating System	Windows 7/8.1/10, Linux

## 整机方案

Model	CPU	Core / Threads	frequency	Cache	TDP
TBD	Intel Celeron G1820	2 / 2	2.7 GHz	2MB Smart Cache	53W
TBD	Intel Core I3-4330	2 / 4	3.5 GHz	4MB Smart Cache	54W
TBD	Intel Core I5-4590S	4 / 4	3.0 GHz~3.7 GHz	6MB Smart Cache	65W
TBD	Intel Core I7-4770T	4 / 8	3.1 GHz~3.9 GHz	8MB Smart Cache	65W

备注: