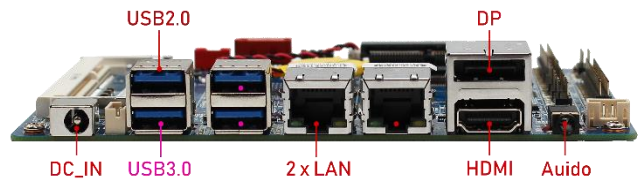


# OTM-3612

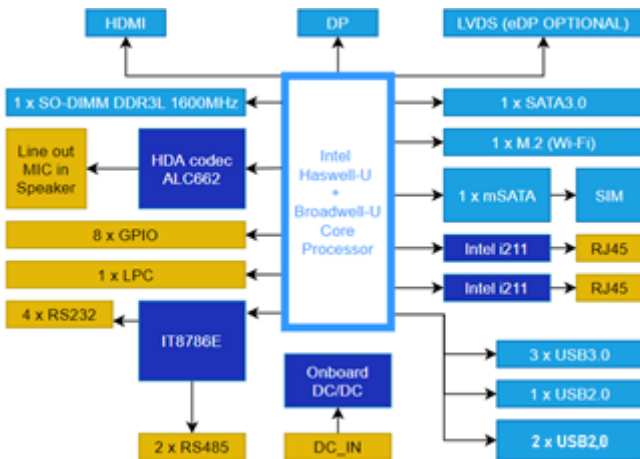
## 特点

- Intel Haswell-U Processor
- Single channel DDR3L SO-DIMM up to 8GB
- HDMI, DP, LVDS
- 10/100/1000Mbps Ethernet
- Support Wi-Fi & Bluetooth
- SATA3.0, mSATA (SSD or 4G)
- 12V DC\_IN

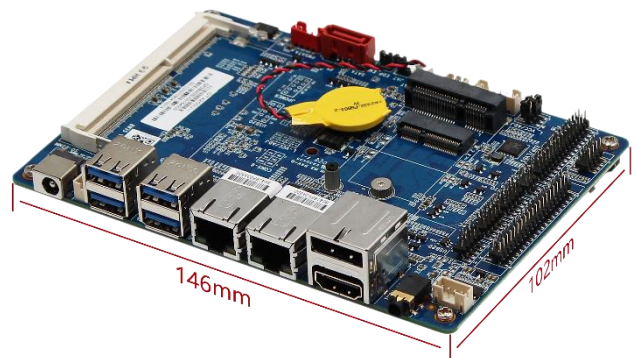
## 接口图



## 功能示意图



## 尺寸图



| 规格参数 |                  |  |
|------|------------------|--|
| 处理器  | CPU              | Intel Core i5-4200U                        |
|      | Base frequency   | 1.6 GHz                                    |
|      | Burst frequency  | 2.6 GHz                                    |
|      | Cache            | 3 MB                                       |
|      | TDP              | 15 W                                       |
| 内存   | Type             | 1 x DDR3L SO-DIMM 1600MHZ                  |
|      | Capacity         | 8GB  |
| 显示   | Graphics         | Intel HD Graphics                          |
| 以太网  | Interface        | 10/100/1000 Mbps                           |
|      | Ethernet         | Intel Ethernet Controller I211-AT          |
|      | Connector        | 2 x RJ45                                   |
| 板载接口 | HDMI             | 1 x HDMI1.4 (3840 x 2160 @30Hz)            |
|      | DP               | 1 x DP1.2 (3840 x 2160 @60Hz)              |
|      | Audio            | 1 x LINE OUT & MIC IN in one               |
|      | USB3.0           | 3 x USB3.0                                 |
|      | USB2.0           | 1 x USB2.0                                 |
|      | SATA3.0          | 1 x SATA3.0                                |
| 板载插针 | LVDS             | Optional                                   |
|      | COM              | 4 x RS232; 2 x RS485                       |
|      | LPC              | 1 x LPC                                    |
|      | GPIO             | 8 bit GPIO                                 |
|      | USB2.0           | 2 x USB2.0                                 |
| 板载插槽 | M.2              | 1 x M.2 Key_E for 2230 Wi-Fi               |
|      | mSATA            | 1 x mSATA for SSD or 3G/4G                 |
|      | Micro SIM        | 1 x Micro SIM                              |
| 电源输入 | Connector        | DC 12V Jack/ mini 4-pin with ATX           |
|      | Power Type       | Single 12V DC power input (Optional 9~36V) |
| 尺寸   | Size (L x W)     | 146mm x 102mm                              |
| 环境   | Operating Temp   | 0°C~60°C                                   |
|      | Storage Temp     | -40°C~80°C                                 |
| 操作系统 | Operating System | Windows7 32/64bit、Windows10 32/64bit、Linux |

| 整机方案     |             |                   |            |       |
|----------|-------------|-------------------|------------|-------|
| 型号       | Display     | COM               | GPIO       | DC_IN |
| OTF-8612 | HDMI+DP     | 4 RS232 & 2 RS485 | /          | 12V   |
| OTF-8612 | HDMI+DP     | 4 RS232 & 2 RS485 | 8 bit GPIO | 9~36V |
| OTF-8612 | HDMI+DP+VGA | 4 RS232 & 1 RS485 | /          | 12V   |
| OTF-8612 | HDMI+DP+VGA | 4 RS232 & 1 RS485 | 8 bit GPIO | 9~36V |

备注: